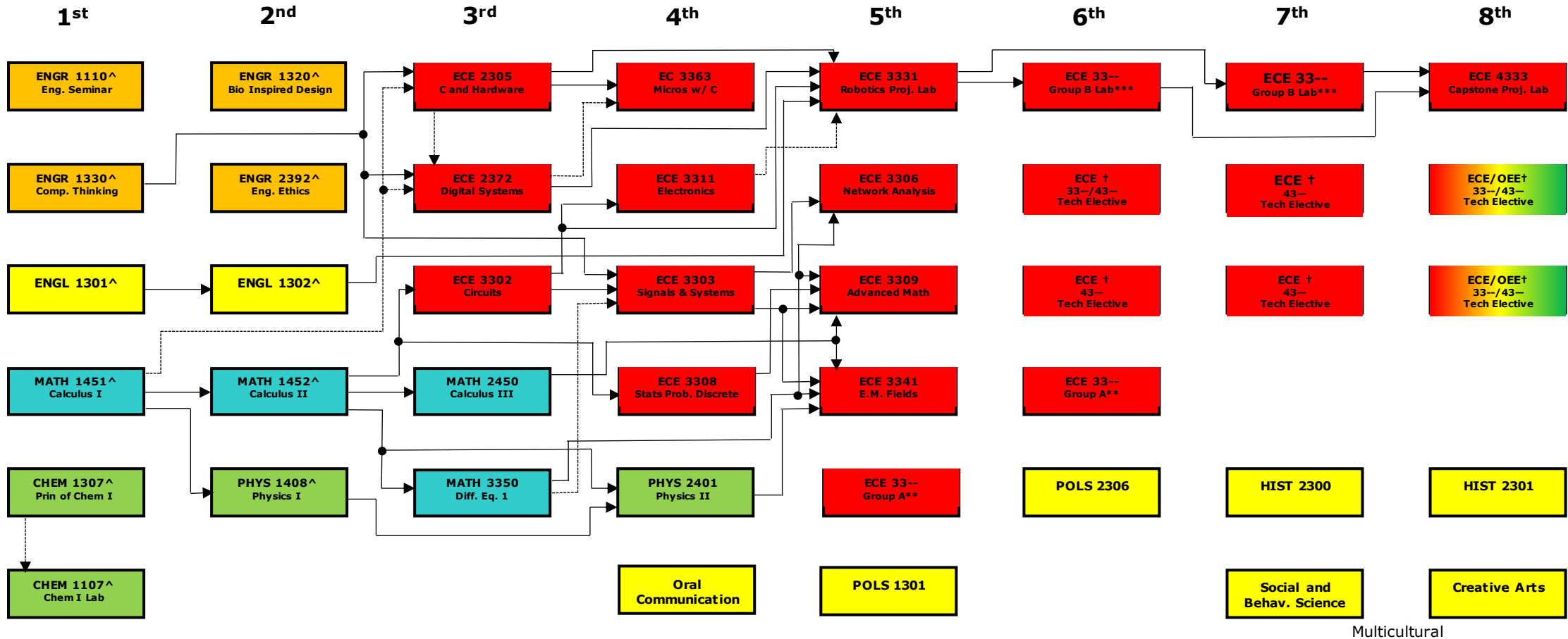


Electrical Engineering BS Curriculum Flowchart 2022 - 2023



Multicultural

Prerequisite
 Math Requirements
 Engineering Courses
 General Education Requirements
 Science Requirements

Electrical and Computer Engineering Courses
 Math Requirements
 Engineering Courses
 General Education Requirements
 Science Requirements

Electrical and Computer Engineering Courses
 Math Requirements
 Engineering Courses
 General Education Requirements
 Science Requirements

[^]Successful completion of these courses with at least 12 TTU credit hours and a TTU GPA of at least 2.5 will satisfy the requirements to move from FNDL EE to EE.
 ** Group A: Focus Area (CHOOSE TWO): ECE 3312/ECE 3323/ECE 3342/ECE 3353 – prerequisites vary.
 *** Group B: Project Lab in Focus Area (CHOOSE TWO): ECE 3332/3333/3334/3335/3336/3337/3338 - prerequisites vary.
 † Select from departmentally approved list

Course Catalog Available: <http://www.depts.ttu.edu/officialpublications/>